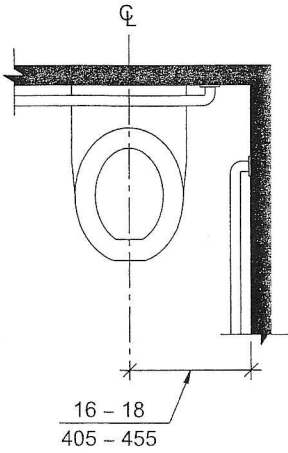


Mirrors. Mirrors located above lavatories, sinks or counters shall be mounted with the bottom Edge of the reflecting surface 40 inches maximum above the floor. Mirrors not located above lavatories, sinks or counters shall be mounted with the bottom edge of the reflecting surface 35 inches maximum above the floor.



(a) Accessible Water Closets

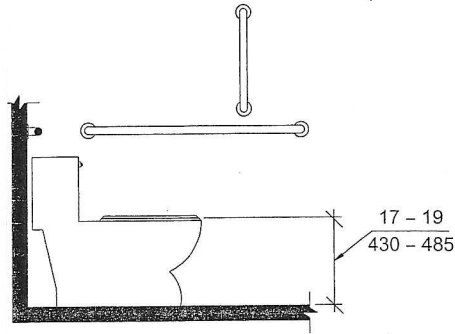


Fig. 604.4
Water Closet Height

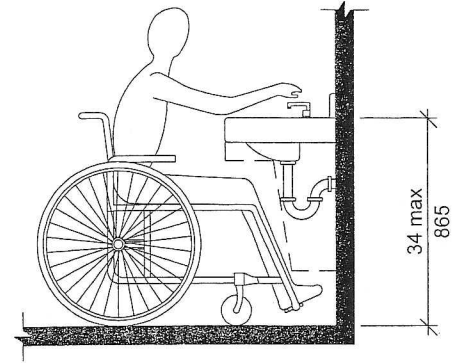


Fig. 606.3
Height of Lavatories and Sinks

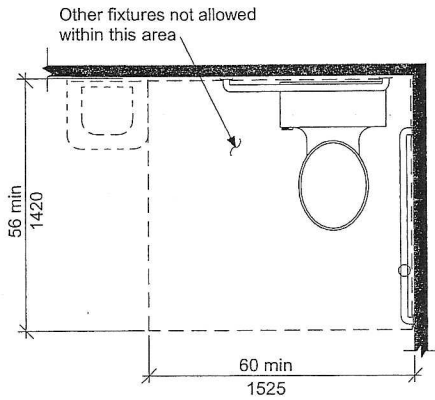


Fig. 604.3
Size of Clearance for Water Closet

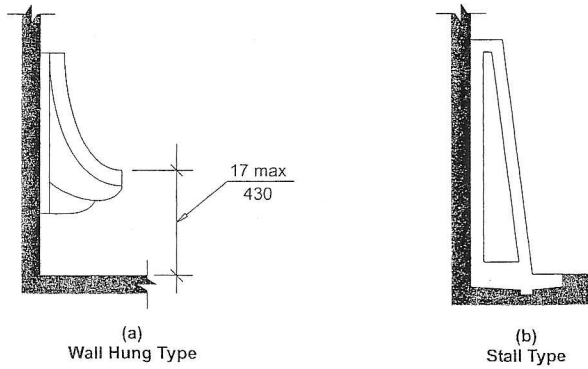


Fig. 605.2
Height of Urinals

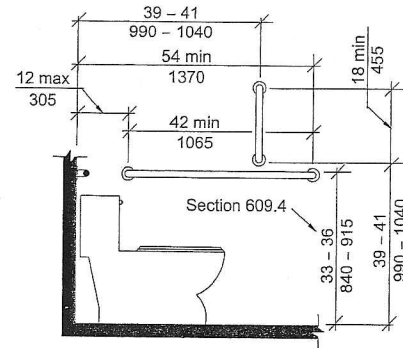
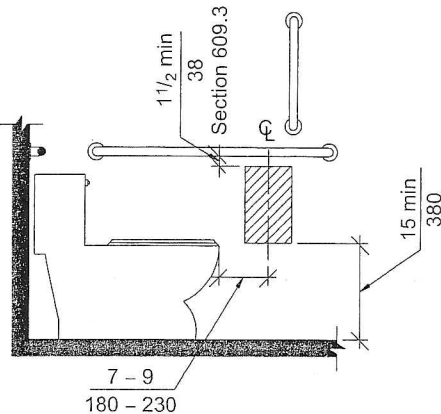
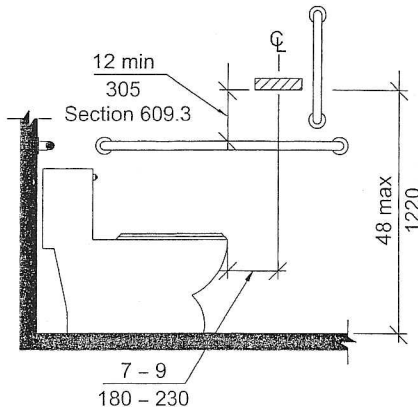


Fig. 604.5.1
Side Wall Grab Bar for Water Closet



(a) Below Grab Bar



(b) Above Grab Bar

Fig. 604.7
Dispenser Location

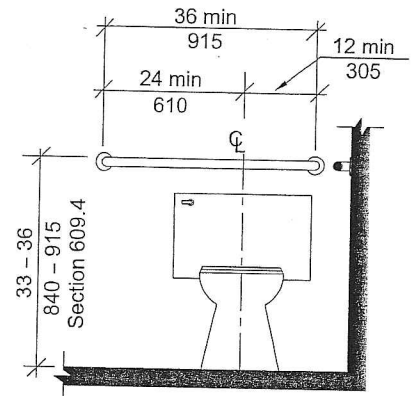
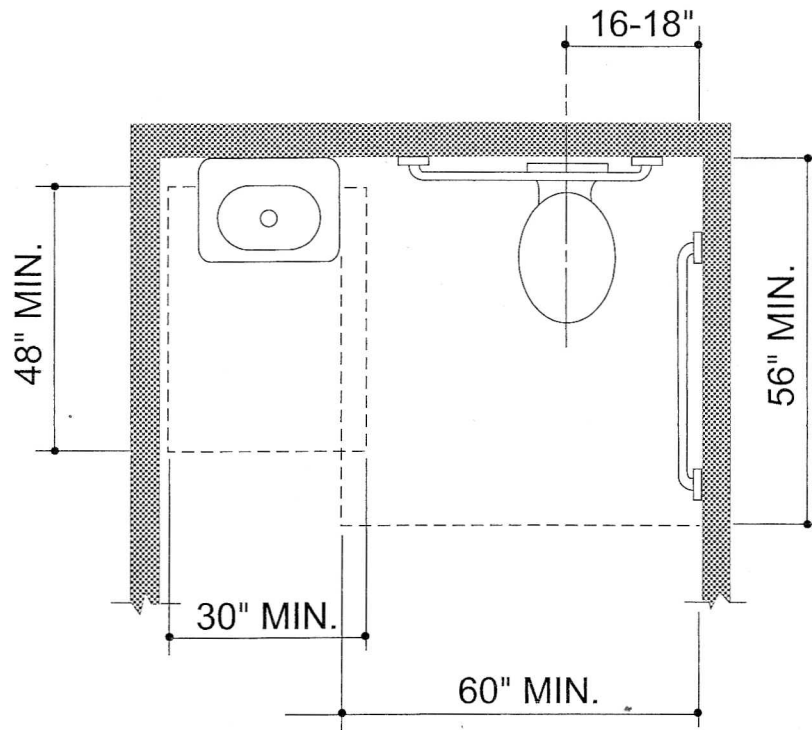
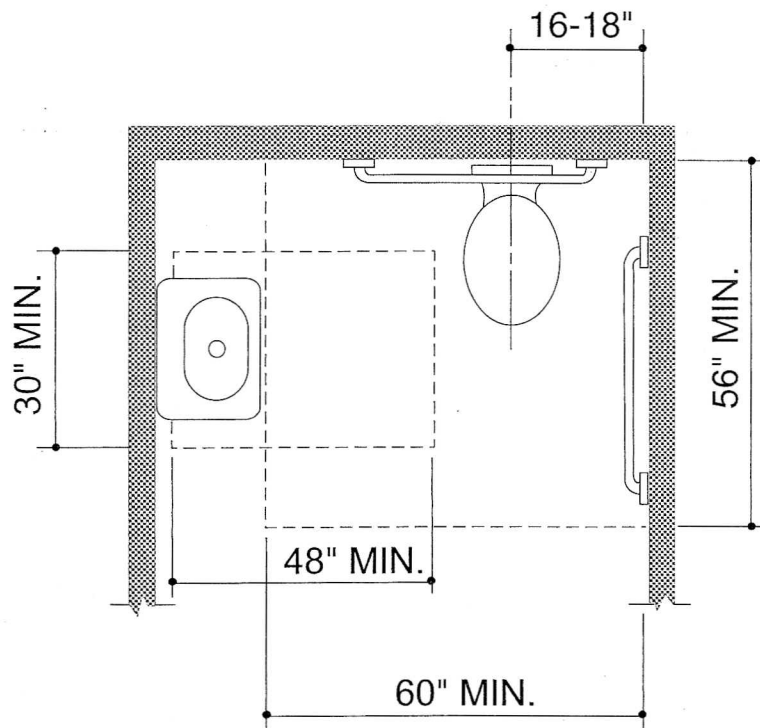


Fig. 604.5.2
Rear Wall Grab Bar for Water Closet



For SI: 1 inch = 25.4 mm.

Figure 1109.2(2)
CLEAR FLOOR SPACE AT WATER CLOSETS AND LAVATORIES



For SI: 1 inch = 25.4 mm.

Figure 1109.2(3)
CLEAR FLOOR SPACE AT WATER CLOSETS AND LAVATORIES