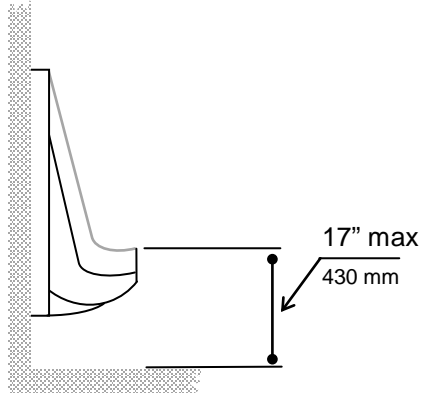
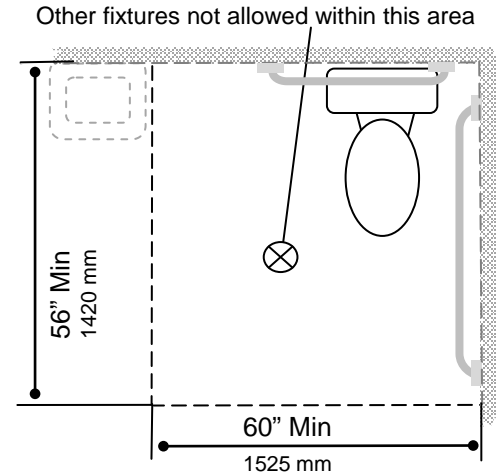


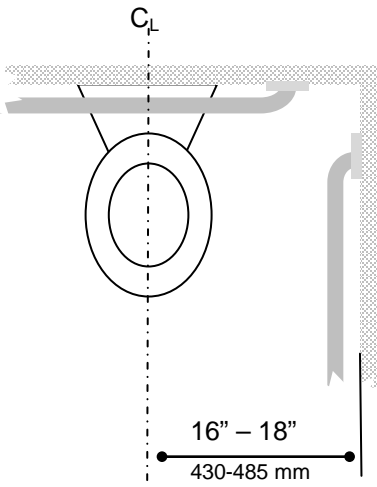
Water Closet Height



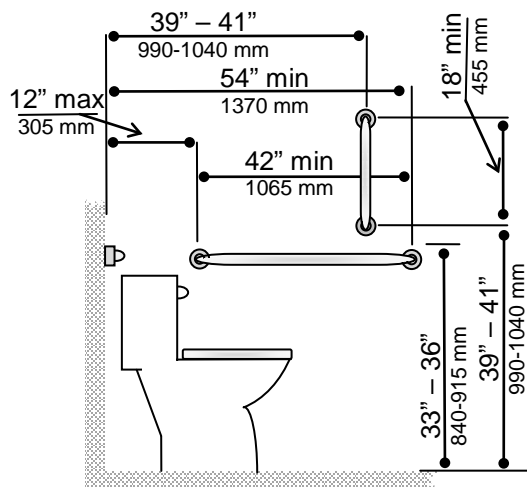
Wall Hung Urinal Height



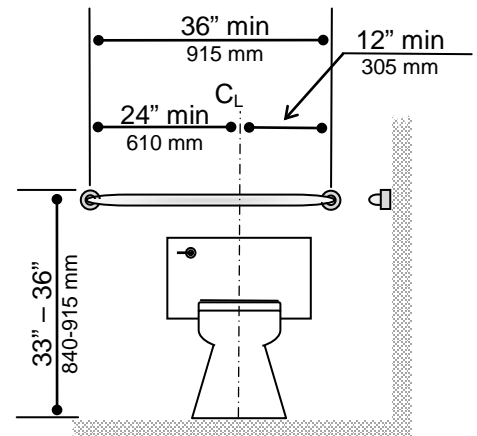
Size of Clearance for Water Closet



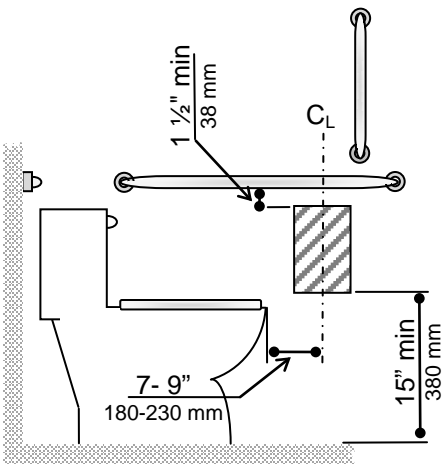
Accessible Water Closets



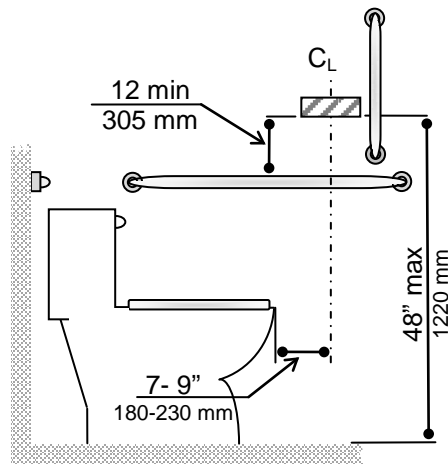
Side Wall Grab Bar for Water Closet



Rear Wall Grab Bar for Water Closet

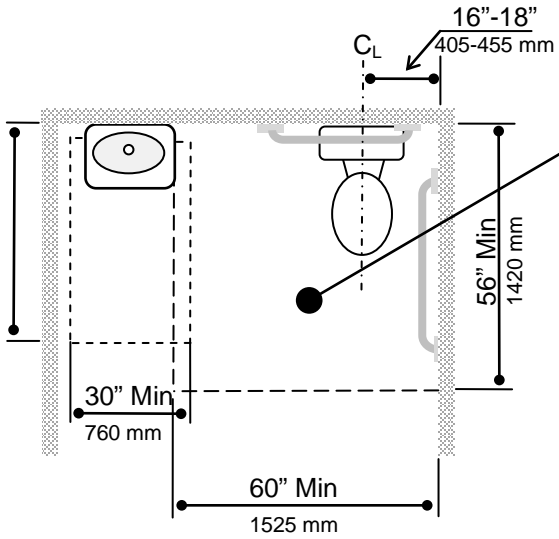


(a) Below Grab Bar



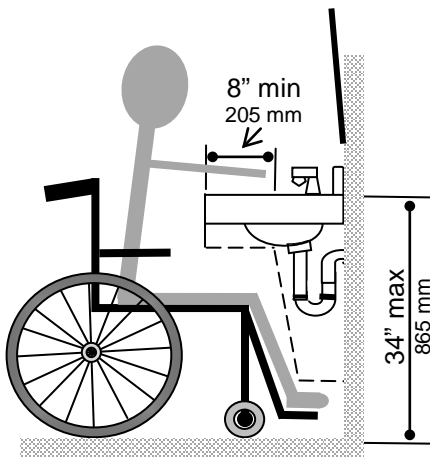
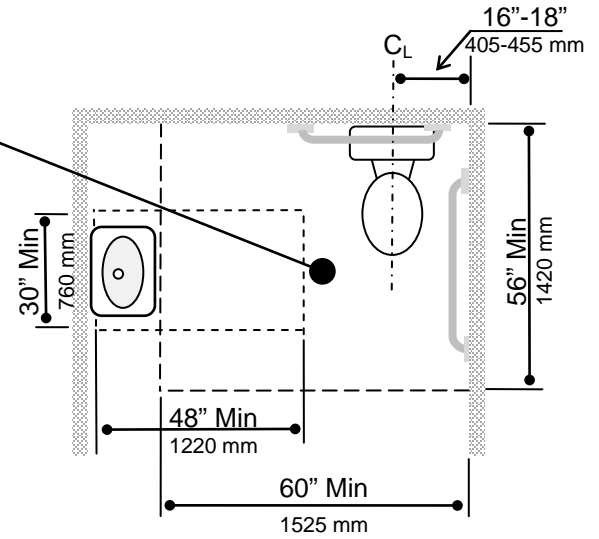
(b) Above Grab Bar

Dispenser Location: 



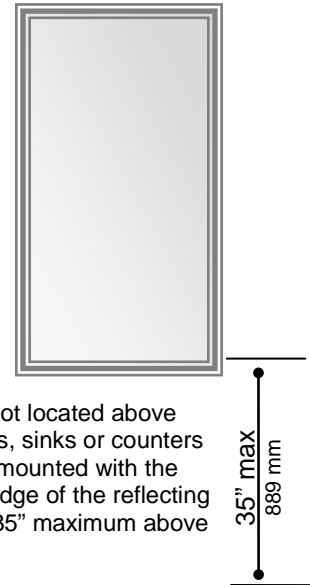
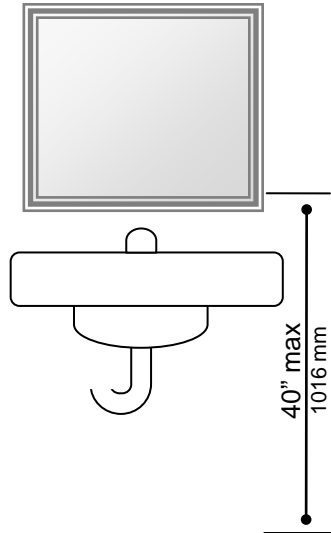
Other fixtures
NOT allowed
within this area

Clear floor
space
required at
water closets
and
lavatories

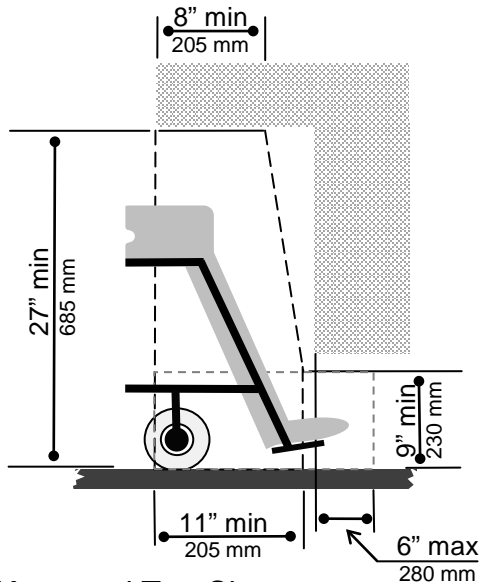


Height of Lavatories & Sinks

Mirrors located above lavatories, sinks or counters shall be mounted with the bottom edge of the reflecting surface 40\"/>

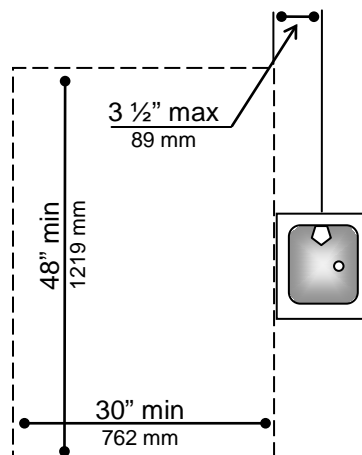


Mirrors not located above lavatories, sinks or counters shall be mounted with the bottom edge of the reflecting surface 35\"/>

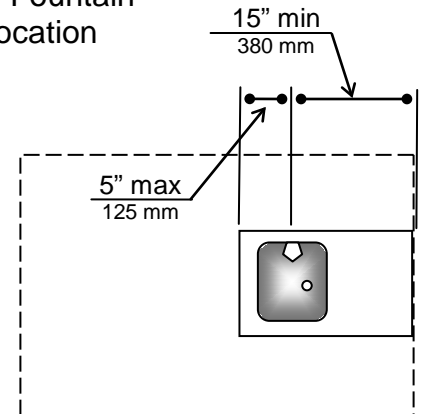


Knee and Toe Clearance – Sinks and Drinking Fountains

Drinking Fountain Spout Location



Parallel Approach



Forward Approach