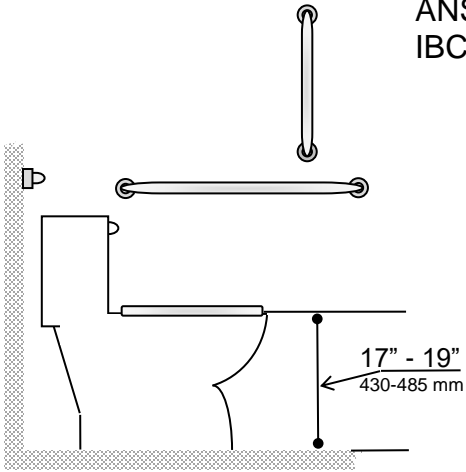
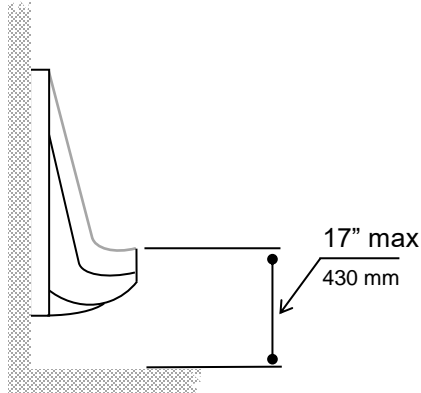


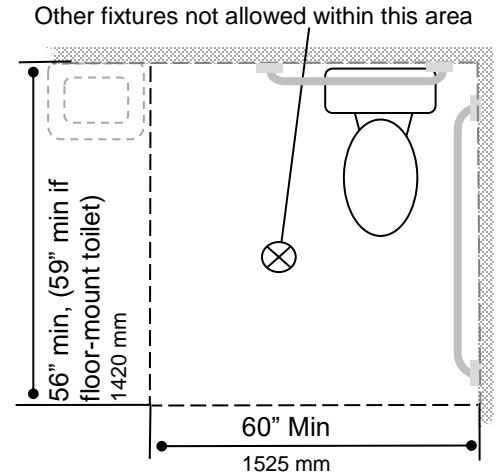
All dimensions per the  
ANSI A117.1-2009 and the 2012  
IBC Chapter 11 and Appendix E



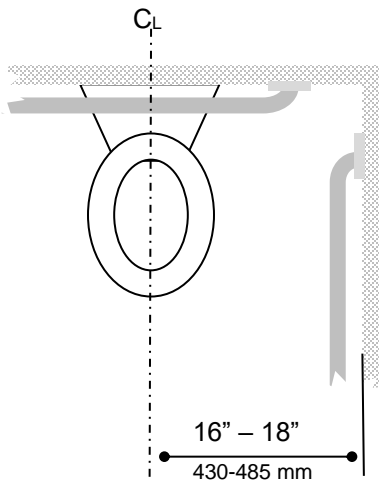
Water Closet Height



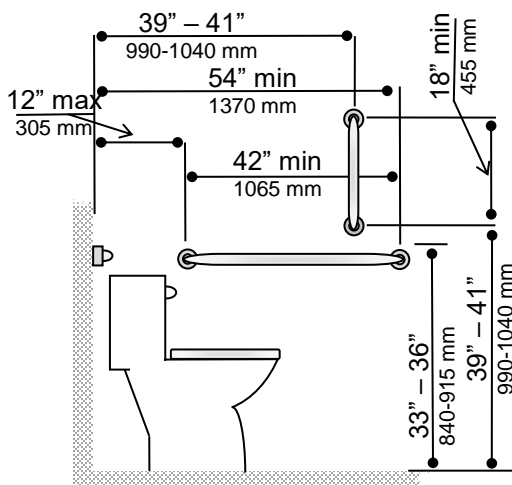
Wall Hung Urinal Height



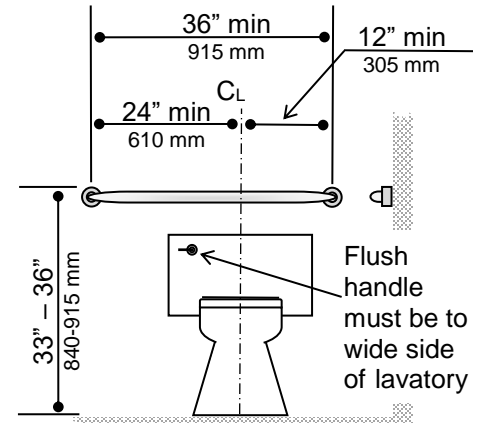
Size of Clearance for Water Closet



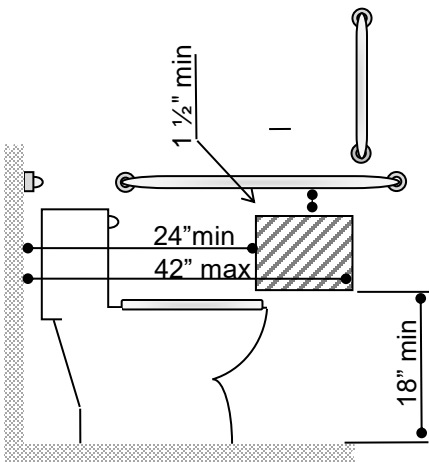
Accessible Water Closets



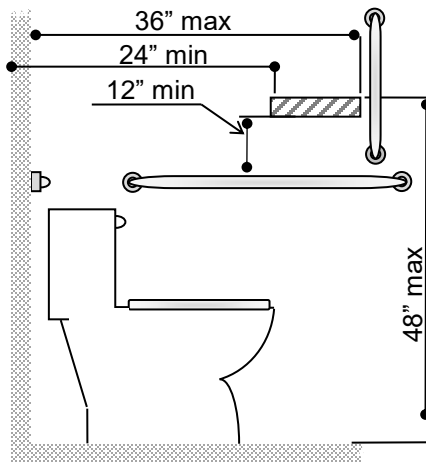
Side Wall Grab Bar for Water Closet



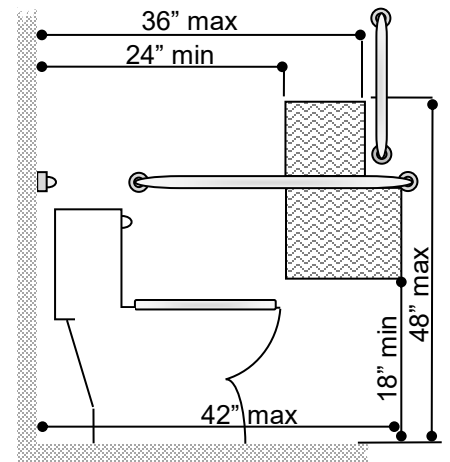
Rear Wall Grab Bar for Water Closet




(a) Below Grab Bar

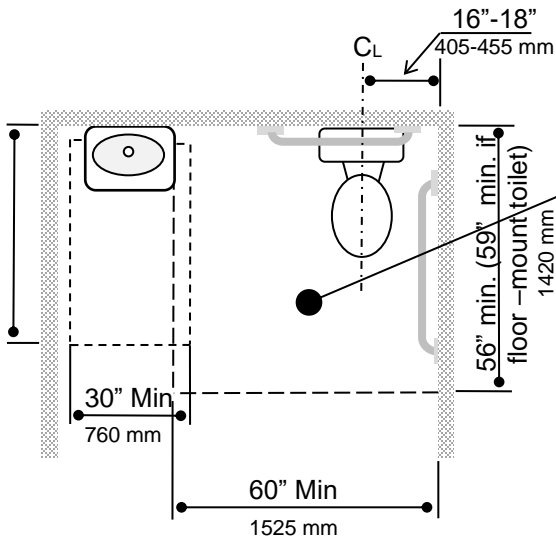


(b) Above Grab Bar



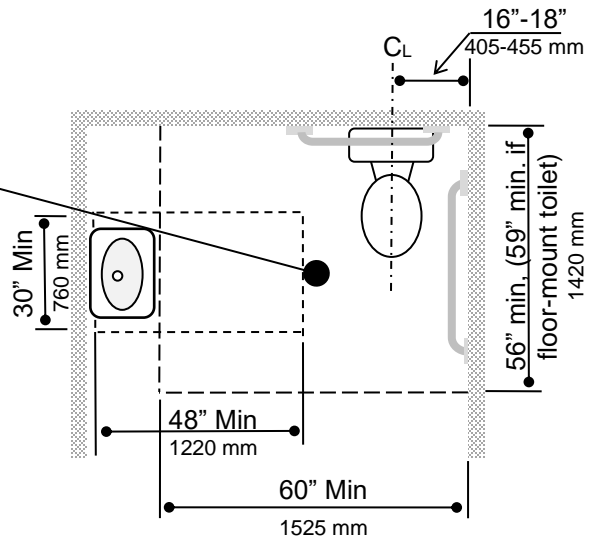
Protruding Dispenser Location: 

Recessed Dispenser Location: 

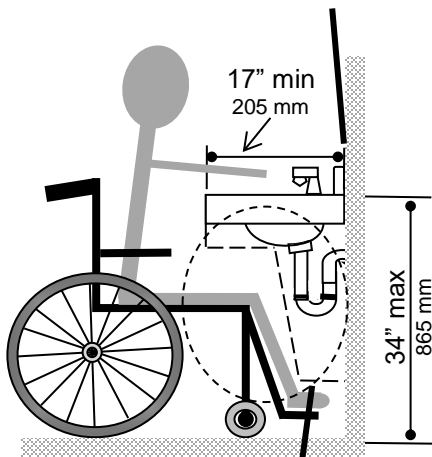


Other fixtures NOT allowed within this area

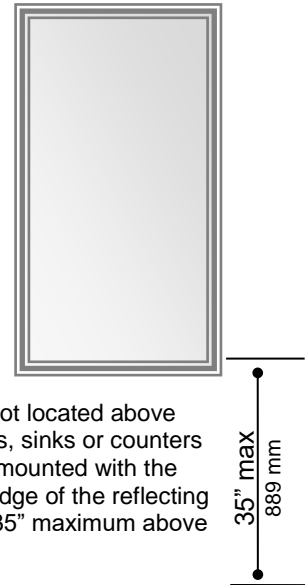
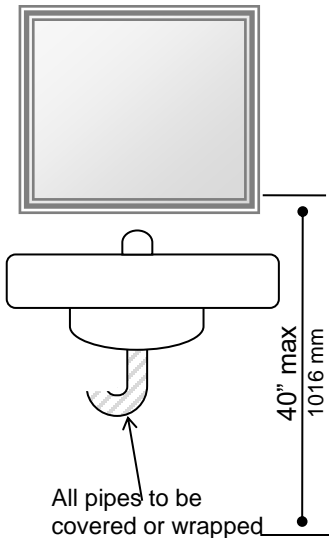
Clear floor space required at water closets and lavatories



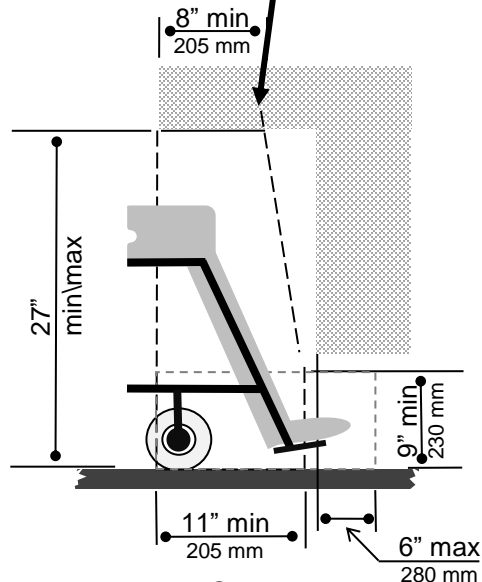
Mirrors located above lavatories, sinks or counters shall be mounted with the bottom edge of the reflecting surface 40" maximum above the floor



Height of Lavatories & Sinks

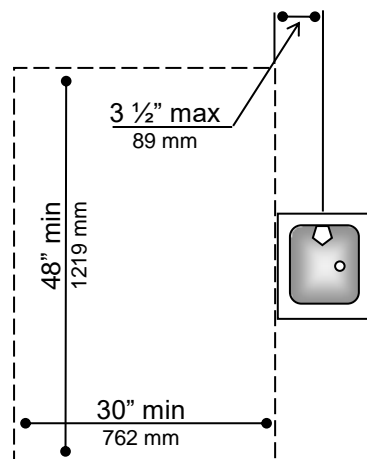


Mirrors not located above lavatories, sinks or counters shall be mounted with the bottom edge of the reflecting surface 35" maximum above the floor

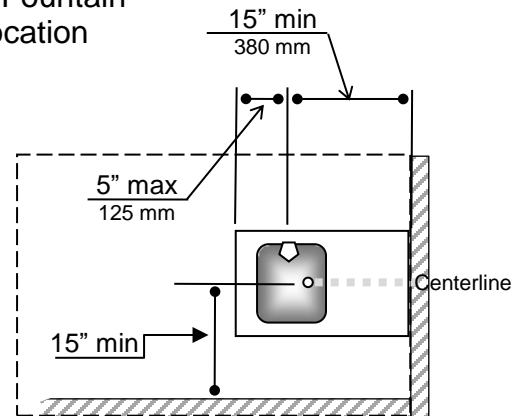


Knee and Toe Clearance – Sinks and Drinking Fountains

Drinking Fountain Spout Location



Parallel Approach (only for children's use)



Forward Approach