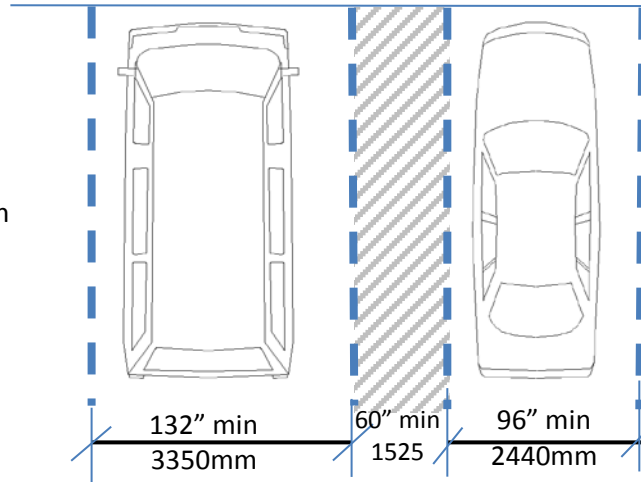


# Accessible Parking Spaces

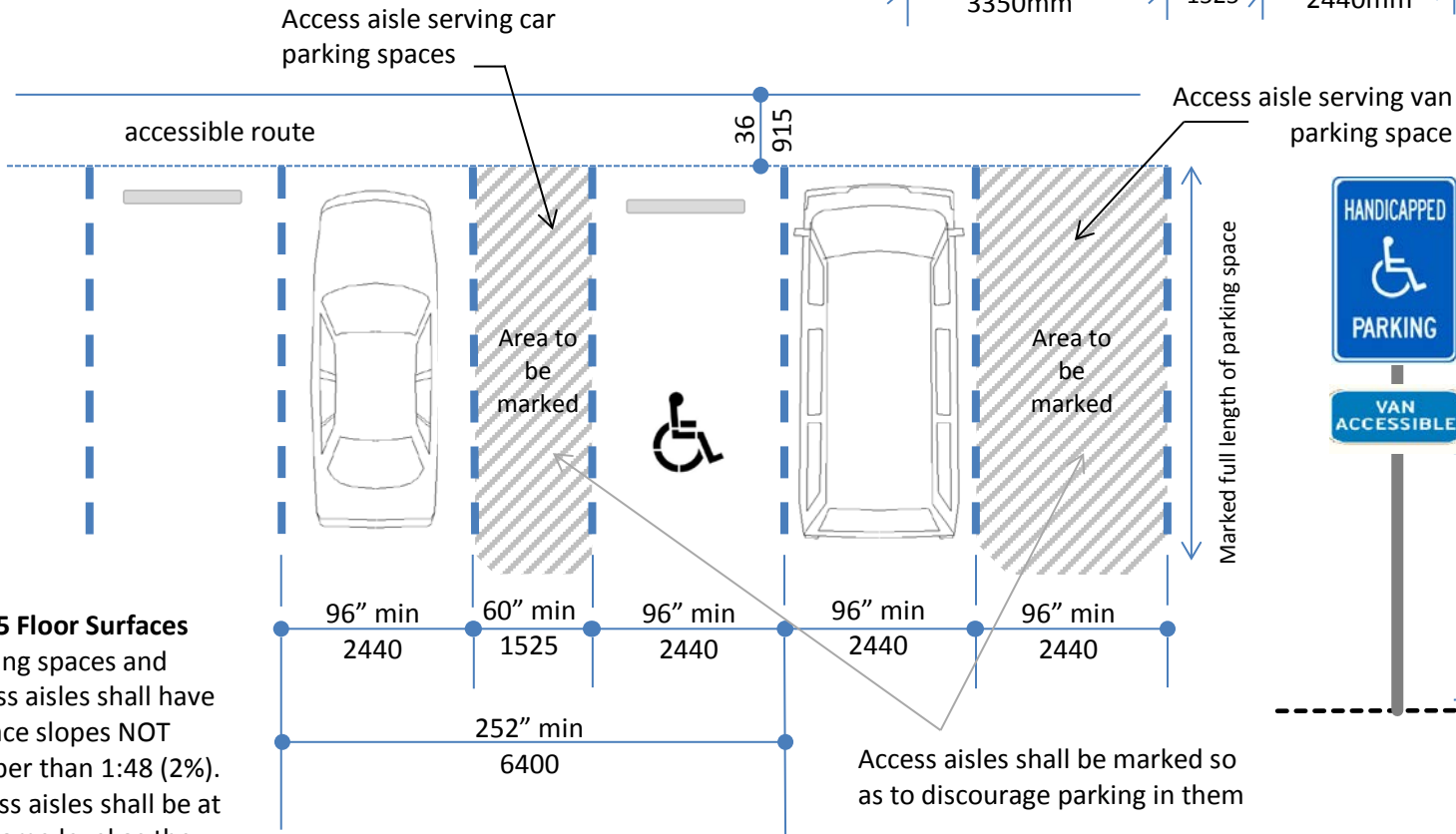
ICC/ANSI 502

**502.2 Vehicle Space Size** Car parking spaces shall be 96 inches (2440mm) minimum in width. Van parking spaces shall be 132 inches (3350mm) minimum in width.

**EXCEPTION:** Van parking spaces shall be permitted to be 96 inches minimum in width where the adjacent aisle is 96 inches minimum in width



**502.7 Identification** The signs shall include the International Symbol of Accessibility (Section 703.6.3.1). Signs identifying van parking spaces shall contain the designation "van accessible". Such signs shall be 60 inches (1525mm) minimum above the floor of the parking space, measured at the bottom of the sign



**502.5 Floor Surfaces** Parking spaces and access aisles shall have surface slopes NOT steeper than 1:48 (2%). Access aisles shall be at the same level as the parking spaces they serve.

