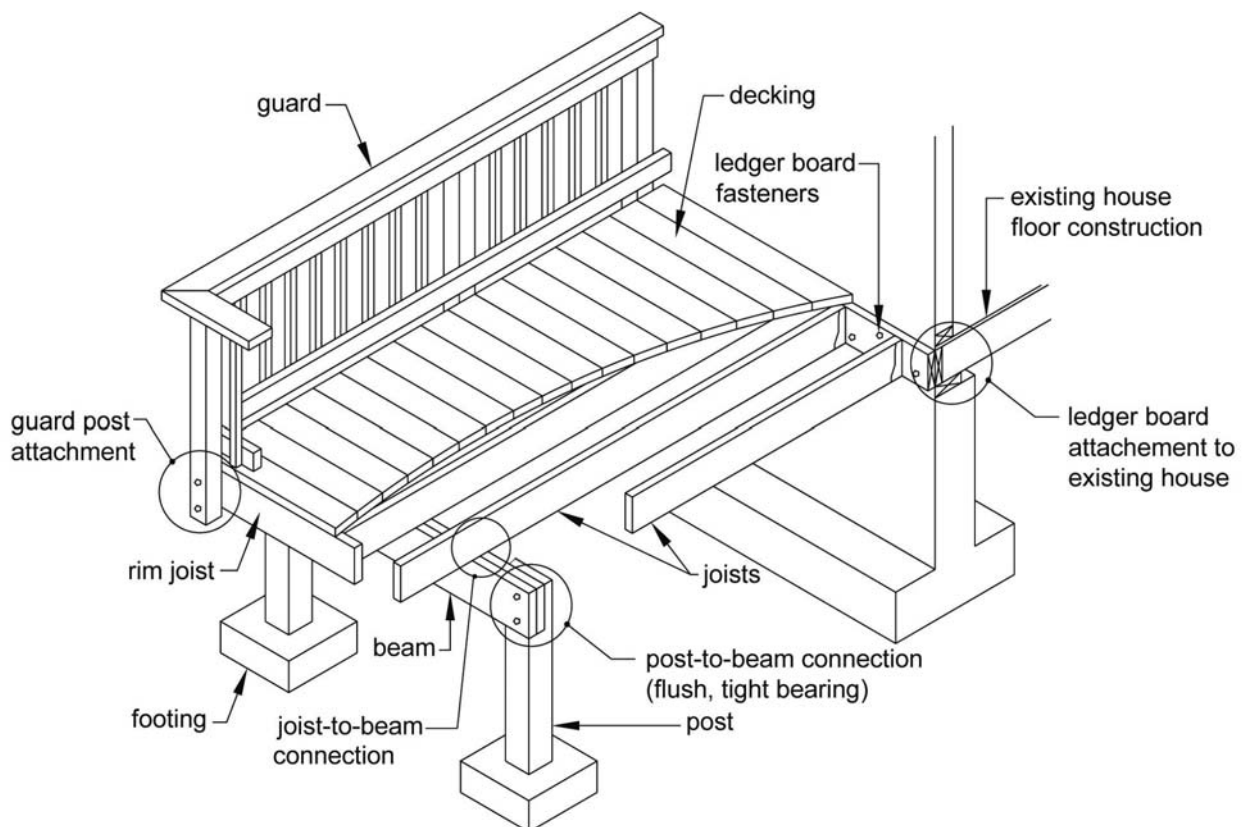


Design for Code Acceptance



Prescriptive Residential Wood Deck Construction Guide

Based on the *2006 International Residential Code*



This document is subject to updates and revisions. To ensure that you always have the latest version of the document, follow this link to download a free copy of the most current Prescriptive Residential Wood Deck Construction Guide: <http://www.awc.org/Publications/DCA/DCA6/DCA6.pdf>.

For information about copyright permission and hyperlinks, follow this link: <http://www.awc.org/CopyrightDisclaimer.html>.

Additional questions: <http://www.awc.org/HelpOutreach/helpdesk/index.html> or 202-463-4713.