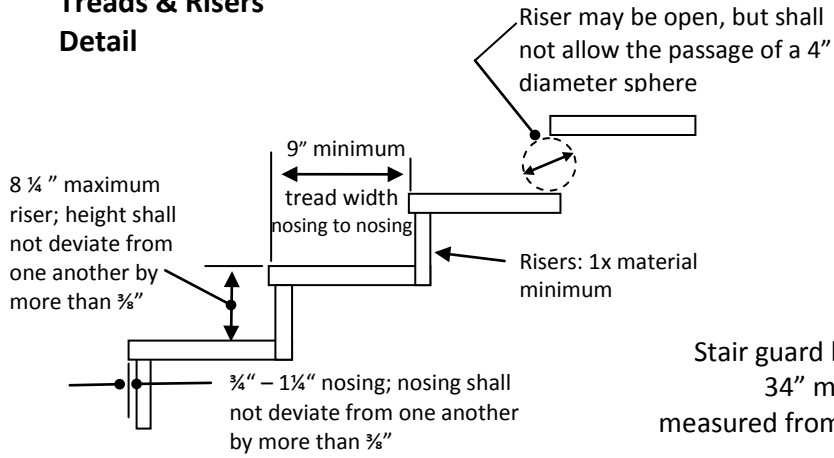
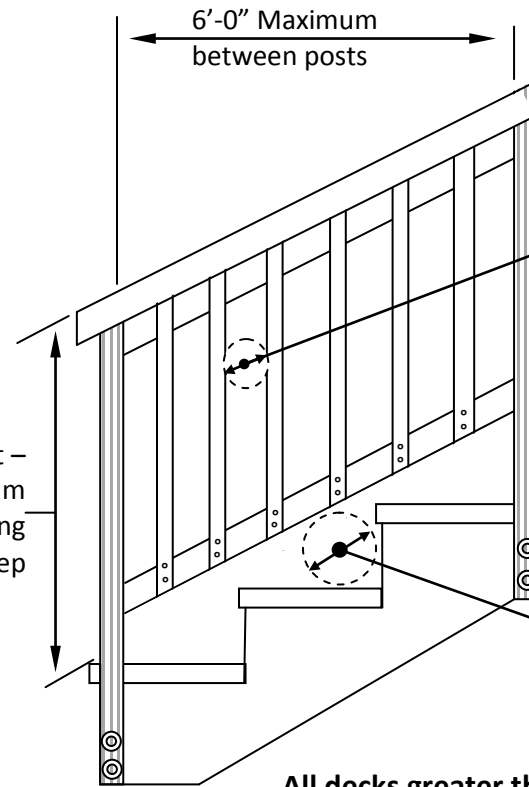


Treads & Risers Detail



Stair guard height - 34" minimum measured from nosing of step

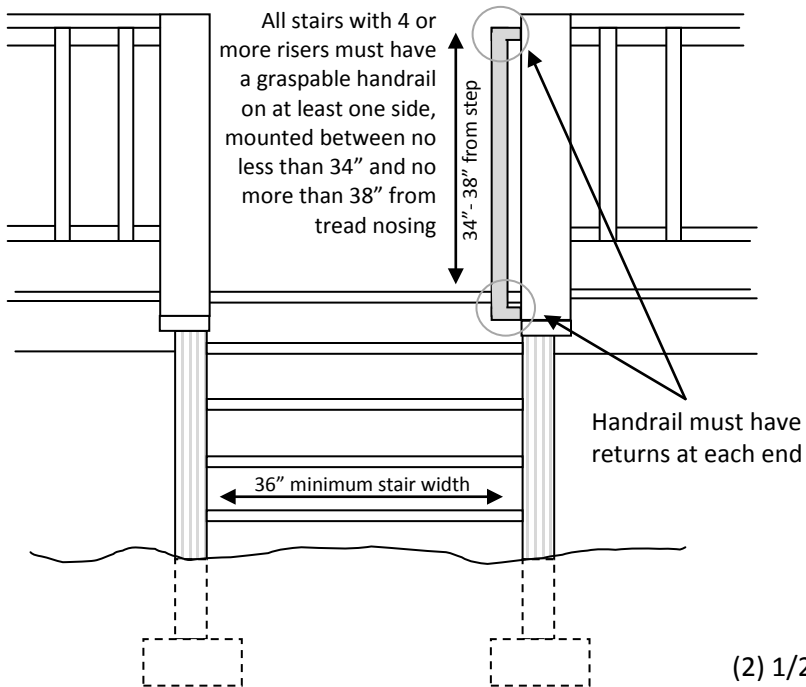
A stair guard is required for stairs with a total rise of 30" or more.



Openings for required guards on the sides of stair treads shall not allow a sphere of 4-3/8" to pass through

Triangular opening shall not permit the passage of a 6" diameter sphere

Handrails



All decks greater than 30" above grade are required to have a guard

